

# **RECADV D97A**

**EDIFACT / D97A / RECADV : RECADV Receiving Advice Message**

**Version: March 2019 Final**

<b>Author:</b>	<b>Cummins Electronic Commerce Support</b>
<b>Company:</b>	<b>Cummins Inc.</b>
<b>Publication:</b>	<b>4/4/2019</b>
<b>Trading Partner:</b>	<b>Cummins Suppliers</b>

# Table of Contents

<b>RECADV</b>	<b>Receiving advice message</b> .....	<b>1</b>
	<b>Branching Diagram - 1</b> .....	<b>3</b>
	<b>Branching Diagram - 2</b> .....	<b>4</b>
	<b>Branching Diagram - 3</b> .....	<b>5</b>
<b>UNB</b>	<b>INTERCHANGE HEADER</b> .....	<b>6</b>
<b>UNH</b>	<b>MESSAGE HEADER</b> .....	<b>9</b>
<b>BGM</b>	<b>BEGINNING OF MESSAGE</b> .....	<b>11</b>
<b>DTM</b>	<b>DATE/TIME/PERIOD</b> .....	<b>12</b>
<b>Group 2</b>	<b>Segment Group 2</b> .....	<b>13</b>
<b>DOC</b>	<b>DOCUMENT/MESSAGE DETAILS</b> .....	<b>14</b>
<b>Group 4</b>	<b>Segment Group 4</b> .....	<b>15</b>
<b>NAD</b>	<b>NAME AND ADDRESS</b> .....	<b>16</b>
<b>LOC</b>	<b>PLACE/LOCATION IDENTIFICATION</b> .....	<b>17</b>
<b>Group 16</b>	<b>Segment Group 16</b> .....	<b>18</b>
<b>CPS</b>	<b>CONSIGNMENT PACKING SEQUENCE</b> .....	<b>19</b>
<b>Group 22</b>	<b>Segment Group 22</b> .....	<b>20</b>
<b>LIN</b>	<b>LINE ITEM</b> .....	<b>21</b>
<b>PIA</b>	<b>ADDITIONAL PRODUCT ID</b> .....	<b>22</b>
<b>QTY</b>	<b>QUANTITY</b> .....	<b>23</b>
<b>QVR</b>	<b>QUANTITY VARIANCES</b> .....	<b>24</b>
<b>CNT</b>	<b>CONTROL TOTAL</b> .....	<b>25</b>
<b>UNT</b>	<b>MESSAGE TRAILER</b> .....	<b>26</b>
<b>UNZ</b>	<b>INTERCHANGE TRAILER</b> .....	<b>27</b>

# RECADV Receiving advice message

Message Status=1

**Definition:** This message is to address the business needs related to the goods receipt. This message is used to report the physical receipt of goods. The message allows for the reporting of discrepancies in products, quantities, terms, packages, etc. The message may contain only the information that the received consignment is completely in line with the consignment information given in the Despatch advice message. In case there is no detail to be provided. The message may inform about the discrepancies: - between the received consignment and consignment information given in the Despatch advice message. - between the received goods and the ordered goods in the ORDERS, DELFOR or DELJIT information.

**Heading:**

<u>Pos</u>	<u>Tag</u>	<u>Segment Name</u>	<u>Status</u>	<u>Rep</u>	<u>Notes</u>	<u>Usage</u>
	UNB	INTERCHANGE HEADER	M	1		Cummins Mandatory
0010	UNH	MESSAGE HEADER	M	1	N1/0010	Cummins Mandatory
0020	BGM	BEGINNING OF MESSAGE	M	1	N1/0020	Cummins Mandatory
0030	DTM	DATE/TIME/PERIOD	M	10	N1/0030	Cummins Mandatory
<b>0080</b>		<b>Segment Group 2</b>	<b>C</b>	<b>10</b>	<b>N1/0080</b>	<b>Cummins Mandatory</b>

**Detail:**

<u>Pos</u>	<u>Tag</u>	<u>Segment Name</u>	<u>Status</u>	<u>Rep</u>	<u>Notes</u>	<u>Usage</u>
0090	DOC	DOCUMENT/MESSAGE DETAILS	M	1	N2/0090	Cummins Mandatory

**Heading:**

<u>Pos</u>	<u>Tag</u>	<u>Segment Name</u>	<u>Status</u>	<u>Rep</u>	<u>Notes</u>	<u>Usage</u>
<b>0130</b>		<b>Segment Group 4</b>	<b>M</b>	<b>10</b>	<b>N1/0130</b>	<b>Cummins Mandatory</b>
0140	NAD	NAME AND ADDRESS	M	1	N1/0140	Cummins Mandatory
0150	LOC	PLACE/LOCATION IDENTIFICATION	C	10	N1/0150	Cummins Mandatory
<b>0470</b>		<b>Segment Group 16</b>	<b>C</b>	<b>1</b>	<b>N1/0470</b>	<b>Cummins Mandatory</b>
0480	CPS	CONSIGNMENT PACKING SEQUENCE	M	1	N1/0480	Cummins Mandatory

**Detail:**

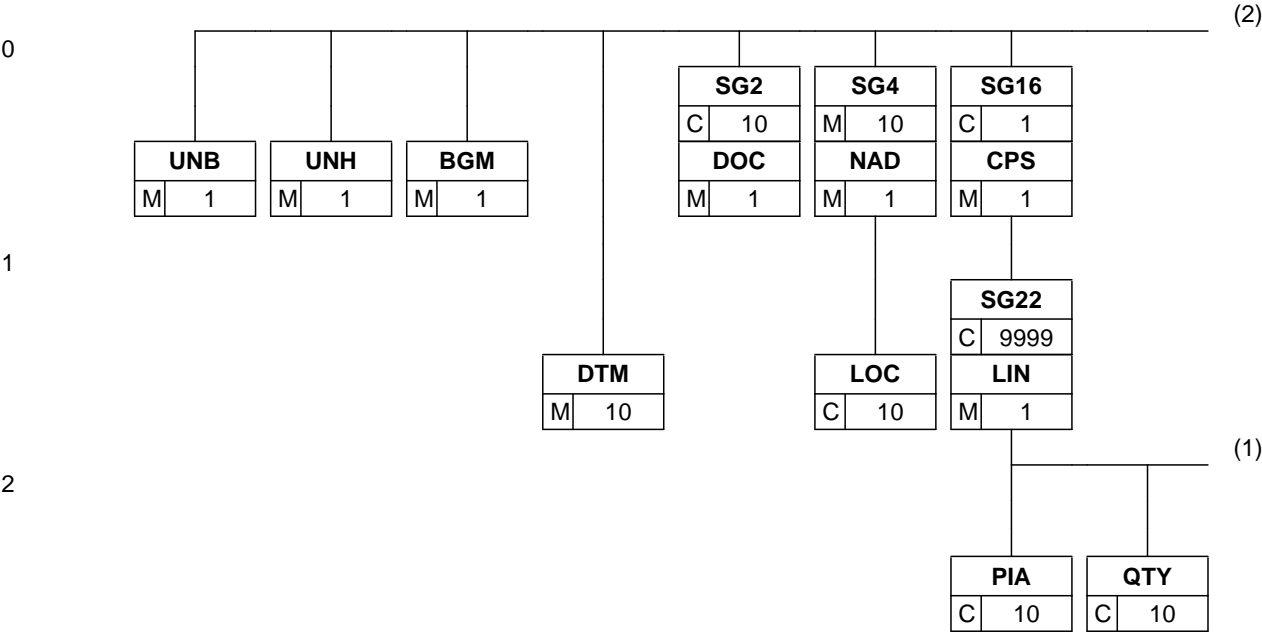
<u>Pos</u>	<u>Tag</u>	<u>Segment Name</u>	<u>Status</u>	<u>Rep</u>	<u>Notes</u>	<u>Usage</u>
<b>0630</b>		<b>Segment Group 22</b>	<b>C</b>	<b>9999</b>	<b>N2/0630</b>	<b>Cummins Mandatory</b>
0640	LIN	LINE ITEM	M	1	N2/0640	Cummins Mandatory
0650	PIA	ADDITIONAL PRODUCT ID	C	10	N2/0650	Cummins Optional

<u>Pos</u>	<u>Tag</u>	<u>Segment Name</u>	<u>Status</u>	<u>Rep</u>	<u>Notes</u>	<u>Usage</u>
0670	QTY	QUANTITY	C	10	N2/0670	Cummins Mandatory
0680	QVR	QUANTITY VARIANCES	C	10	N2/0680	Cummins Mandatory

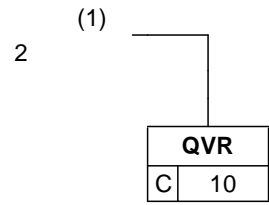
**Summary:**

<u>Pos</u>	<u>Tag</u>	<u>Segment Name</u>	<u>Status</u>	<u>Rep</u>	<u>Notes</u>	<u>Usage</u>
0990	CNT	CONTROL TOTAL	C	1	N3/0990	Cummins Mandatory
1000	UNT	MESSAGE TRAILER	M	1	N3/1000	Cummins Mandatory
	UNZ	INTERCHANGE TRAILER	M	1		Cummins Mandatory

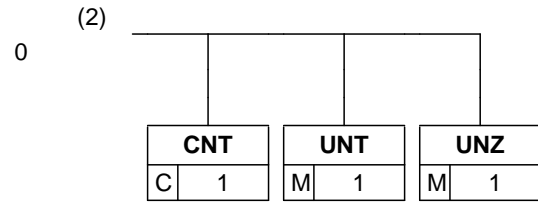
**Branching Diagram:** RECADV(Receiving advice message)



**Branching Diagram:** RECADV(Receiving advice message)



**Branching Diagram:** RECADV(Receiving advice message)



# UNB INTERCHANGE HEADER

<b>Pos:</b>	<b>Max: 1</b>
<b>Mandatory</b>	
<b>Group: N/A</b>	<b>Elements: 6</b>

**User Option (Usage):** Cummins Mandatory

## Example EDI:

UNB+UNOA:1+123456789:1+987654321:1+081006:1111+25++RECADV

## Element Summary:

<u>Ref</u>	<u>Tag</u>	<u>Element Name</u>	<u>Status</u>	<u>Type</u>	<u>Min/Max</u>	<u>Usage</u>
UNB010	S001	SYNTAX IDENTIFIER	M	Comp		Cummins Mandatory

**Description:** Identification of the agency controlling the syntax and indication of syntax level.

UNB010-010	0001	Syntax identifier	M	a	4/4	Cummins Mandatory
------------	------	-------------------	---	---	-----	-------------------

**Description:** Coded identification of the agency controlling a syntax and syntax level used in an interchange.

**CodeList Summary** (Total Codes: 6, Included: 1)

**Code Name**

UNOA UN/ECE level A

**Description:** As defined in the basic code table of ISO 646 with the exceptions of lower case letters, alternative graphic character allocations and national or application-oriented graphic character allocations.

UNB010-020	0002	Syntax version number	M	n	1/1	Cummins Mandatory
------------	------	-----------------------	---	---	-----	-------------------

**Description:** Version number of the syntax identified in the syntax identifier (0001).

**CodeList Summary** (Total Codes: 3, Included: 1)

**Code Name**

1 Version 1

**Description:** ISO 9735:1988.

UNB020	S002	INTERCHANGE SENDER	M	Comp		Cummins Mandatory
--------	------	--------------------	---	------	--	-------------------

**Description:** Identification of the sender of the interchange.

UNB020-010	0004	Sender identification	M	an	1/35	Cummins Mandatory
------------	------	-----------------------	---	----	------	-------------------

**Description:** Name or coded representation of the sender of a data interchange.

**Cummins Note:** Cummins EDI sender/receiver ID.

UNB020-020	0007	Partner identification code qualifier	C	an	1/4	Cummins Mandatory
------------	------	---------------------------------------	---	----	-----	-------------------

**Description:** Qualifier referring to the source of codes for the identifiers of interchanging partners.



<u>Ref</u>	<u>Tag</u>	<u>Element Name</u>	<u>Status</u>	<u>Type</u>	<u>Min/Max</u>	<u>Usage</u>
		<b>Cummins Note:</b> Cummins EDI sender/receiver ID qualifier.				
		<b>CodeList Summary</b> (Total Codes: 45, Included: 2)				
		<b>Code</b>	<b>Name</b>			
		1	DUNS (Data Universal Numbering System)			
			<b>Description:</b> Partner identification code assigned by Dun & Bradstreet.			
		ZZ	Mutually defined			
UNB030	S003	<b>INTERCHANGE RECIPIENT</b>	M	Comp		Cummins Mandatory
		<b>Description:</b> Identification of the recipient of the interchange.				
UNB030-010	0010	<b>Recipient identification</b>	M	an	1/35	Cummins Mandatory
		<b>Description:</b> Name or coded representation of the recipient of a data interchange.				
		<b>Cummins Note:</b> Supplier EDI sender/receiver ID.				
UNB030-020	0007	<b>Partner identification code qualifier</b>	C	an	1/4	Cummins Mandatory
		<b>Description:</b> Qualifier referring to the source of codes for the identifiers of interchanging partners.				
		<b>Cummins Note:</b> Supplier EDI sender/receiver ID qualifier. These are the most common qualifiers used by the Cummins supply base. If you use another qualifier that is not listed, we require notification.				
		<b>CodeList Summary</b> (Total Codes: 46, Included: 4)				
		<b>Code</b>	<b>Name</b>			
		1	DUNS (Data Universal Numbering System)			
			<b>Description:</b> Partner identification code assigned by Dun & Bradstreet.			
		01	DUNS (alternate code)			
		12	Telephone number			
			<b>Description:</b> Partner identification code corresponds to the partner telephone number.			
		ZZ	Mutually defined			
UNB040	S004	<b>DATE/TIME OF PREPARATION</b>	M	Comp		Cummins Mandatory
		<b>Description:</b> Date/time of preparation of the interchange.				
UNB040-010	0017	<b>Date of preparation</b>	M	n	6/6	Cummins Mandatory
		<b>Description:</b> Local date when an interchange or a functional group was prepared.				
		<b>Cummins Note:</b> Date format is YYMMDD.				
UNB040-020	0019	<b>Time of preparation</b>	M	n	4/4	Cummins Mandatory
		<b>Description:</b> Local time of day when an interchange or a functional group was prepared.				
		<b>Cummins Note:</b> Time format is HHMM.				

<u>Ref</u>	<u>Tag</u>	<u>Element Name</u>	<u>Status</u>	<u>Type</u>	<u>Min/Max</u>	<u>Usage</u>
UNB050	0020	<b>Interchange control reference</b>	M	an	1/14	Cummins Mandatory

**Description:** Unique reference assigned by the sender to an interchange.

**Cummins Note:** This will be the same interchange control reference number as in the UNZ segment.

UNB070	0026	<b>Application reference</b>	C	an	1/14	Cummins Optional
--------	------	------------------------------	---	----	------	---------------------

**Description:** Identification of the application area assigned by the sender, to which the messages in the interchange relate e.g. the message identifier if all the messages in the interchange are of the same type.

# UNH MESSAGE HEADER

Pos: 0010	Max: 1
Mandatory	
Group: N/A	Elements: 2

User Option (Usage): Cummins Mandatory

## Example EDI:

UNH+1+RECADV:D:97A:UN

## Element Summary:

Ref	Tag	Element Name	Status	Type	Min/Max	Usage
UNH010	0062	Message reference number	M	an	1/14	Cummins Mandatory

**Description:** Unique message reference assigned by the sender.

**Cummins Note:** This will be the same message reference number as in the UNT segment.

UNH020	S009	MESSAGE IDENTIFIER	M	Comp		Cummins Mandatory
--------	------	--------------------	---	------	--	-------------------

**Description:** Identification of the type, version etc. of the message being interchanged.

UNH020-010	0065	Message type identifier	M	an	1/6	Cummins Mandatory
------------	------	-------------------------	---	----	-----	-------------------

**Description:** Code identifying a type of message and assigned by its controlling agency.

**CodeList Summary** (Total Codes: 145, Included: 1)

Code	Name
RECADV	Receiving advice message

**Description:** A code to identify the receiving advice message.

UNH020-020	0052	Message type version number	M	an	1/3	Cummins Mandatory
------------	------	-----------------------------	---	----	-----	-------------------

**Description:** Version number of a message type.

**CodeList Summary** (Total Codes: 7, Included: 1)

Code	Name
D	Draft version

**Description:** Message approved and issued as a draft message (Valid for directories published after March 1993 and prior to March 1997).  
 Message approved as a standard message (Valid for directories published after March 1997).

UNH020-030	0054	Message type release number	M	an	1/3	Cummins Mandatory
------------	------	-----------------------------	---	----	-----	-------------------

**Description:** Release number within the current message type version number (0052).

**CodeList Summary** (Total Codes: 15, Included: 1)

Code	Name
97A	Release 1997 - A

**Description:** Message approved and issued in the first 1997 release of the

**Code Name**

UNTDID (United Nations Trade Data Interchange Directory).

UNH020-040 0051	<b>Controlling agency</b>	M	an	1/2	Cummins Mandatory
-----------------	---------------------------	---	----	-----	----------------------

**Description:** Code identifying the agency controlling the specification, maintenance and publication of the message type.

**CodeList Summary** (Total Codes: 20, Included: 1)

**Code Name**

UN UN/ECE/TRADE/WP.4, United Nations Standard Messages (UNSM)

**Description:** UN Economic Commission for Europe (UN/ECE), Committee on the development of trade (TRADE), Working Party on facilitation of international trade procedures (WP.4).

# BGM BEGINNING OF MESSAGE

Pos: 0020	Max: 1
Mandatory	
Group: N/A	Elements: 3

User Option (Usage): Cummins Mandatory

## Example EDI:

BGM+:::RECADV+12345+9

## Element Summary:

Ref	Tag	Element Name	Status	Type	Min/Max	Usage
BGM010	C002	DOCUMENT/MESSAGE NAME	C	Comp		Cummins Mandatory

**Description:** Identification of a type of document/message by code or name. Code preferred.

BGM010-040	1000	Document/message name	C	an	1/35	Cummins Mandatory
------------	------	-----------------------	---	----	------	-------------------

**Description:** Plain language identifier specifying the function of a document/message.

**Cummins Note:** Receiving Advice Message (RECADV)

BGM020	C106	DOCUMENT/MESSAGE IDENTIFICATION	C	Comp		Cummins Mandatory
--------	------	---------------------------------	---	------	--	-------------------

**Description:** Identification of a document/message by its number and eventually its version or revision.

BGM020-010	1004	Document/message number	C	an	1/35	Cummins Mandatory
------------	------	-------------------------	---	----	------	-------------------

**Description:** Reference number assigned to the document/message by the issuer.

BGM030	1225	Message function, coded	C	an	1/3	Cummins Mandatory
--------	------	-------------------------	---	----	-----	-------------------

**Description:** Code indicating the function of the message.

**CodeList Summary** (Total Codes: 55, Included: 1)

**Code Name**

9 Original

**Description:** Initial transmission related to a given transaction.

# DTM DATE/TIME/PERIOD

Pos: 0030	Max: 10
Mandatory	
Group: N/A	Elements: 1

User Option (Usage): Cummins Mandatory

## Example EDI:

DTM+9:20081006:102

## Element Summary:

<u>Ref</u>	<u>Tag</u>	<u>Element Name</u>	<u>Status</u>	<u>Type</u>	<u>Min/Max</u>	<u>Usage</u>
DTM010	C507	DATE/TIME/PERIOD	M	Comp		Cummins Mandatory

**Description:** Date and/or time, or period relevant to the specified date/time/period type.

DTM010-010	2005	Date/time/period qualifier	M	an	1/3	Cummins Mandatory
------------	------	----------------------------	---	----	-----	-------------------

**Description:** Code giving specific meaning to a date, time or period.

**CodeList Summary** (Total Codes: 364, Included: 1)

**Code Name**

9 Processing date/time

**Description:** Date/time of processing.

DTM010-020	2380	Date/time/period	C	an	1/35	Cummins Mandatory
------------	------	------------------	---	----	------	-------------------

**Description:** The value of a date, a date and time, a time or of a period in a specified representation.

DTM010-030	2379	Date/time/period format qualifier	C	an	1/3	Cummins Mandatory
------------	------	-----------------------------------	---	----	-----	-------------------

**Description:** Specification of the representation of a date, a date and time or of a period.

**CodeList Summary** (Total Codes: 70, Included: 1)

**Code Name**

102 CCYYMMDD

**Description:** Calendar date: C = Century ; Y = Year ; M = Month ; D = Day.

# Segment Group 2

Pos: 0080	Repeat: 10
Conditional	
Group: 2	Elements: N/A

User Option (Usage): Cummins Mandatory

## Segment Group Summary:

<u>Pos</u>	<u>Tag</u>	<u>Segment Name</u>	<u>Status</u>	<u>Rep</u>	<u>Usage</u>
0090	DOC	DOCUMENT/MESSAGE DETAILS	M	1	Cummins Mandatory

# DOC DOCUMENT/MESSAGE DETAILS

Pos: 0090	Max: 1
Mandatory	
Group: 2	Elements: 2

User Option (Usage): Cummins Mandatory

## Example EDI:

DOC+351+654321

## Element Summary:

<u>Ref</u>	<u>Tag</u>	<u>Element Name</u>	<u>Status</u>	<u>Type</u>	<u>Min/Max</u>	<u>Usage</u>
DOC010	C002	DOCUMENT/MESSAGE NAME	M	Comp		Cummins Mandatory

**Description:** Identification of a type of document/message by code or name. Code preferred.

DOC010-010	1001	Document/message name, coded	C	an	1/3	Cummins Mandatory
------------	------	------------------------------	---	----	-----	-------------------

**Description:** Document/message identifier expressed in code.

**CodeList Summary** (Total Codes: 424, Included: 1)

**Code Name**

351 Despatch advice

**Description:** Document/message by means of which the seller or consignor informs the consignee about the despatch of goods.

DOC020	C503	DOCUMENT/MESSAGE DETAILS	C	Comp		Cummins Mandatory
--------	------	--------------------------	---	------	--	-------------------

**Description:** Identification of document/message by number, status, source and/or language.

DOC020-010	1004	Document/message number	C	an	1/35	Cummins Mandatory
------------	------	-------------------------	---	----	------	-------------------

**Description:** Reference number assigned to the document/message by the issuer.

**Cummins Note:** This will be the Despatch Advice or Advanced Ship Notice (ASN) number that contains the error being reported.



# Segment Group 4

<b>Pos: 0130</b>	<b>Repeat: 10</b>
<b>Mandatory</b>	
<b>Group: 4</b>	<b>Elements: N/A</b>

**User Option (Usage):** Cummins Mandatory

## Cummins Note:

Segment Group 4 will contain:  
 NAD segment  
 LOC segment

Segment Group 4 will be repeated for each party as follows:  
 There will always be two NAD segments with each RECADV message to identify the Ship From and the Ship To parties. See details for each NAD segment below.

## Segment Group Summary:

<u>Pos</u>	<u>Tag</u>	<u>Segment Name</u>	<u>Status</u>	<u>Rep</u>	<u>Usage</u>
0140	NAD	NAME AND ADDRESS	M	1	Cummins Mandatory
0150	LOC	PLACE/LOCATION IDENTIFICATION	C	10	Cummins Mandatory

# NAD NAME AND ADDRESS

Pos: 0140	Max: 1
Mandatory	
Group: 4	Elements: 2

User Option (Usage): Cummins Mandatory

## Example EDI:

Example EDI for material receipt discrepancy to Supplier:

NAD+SF+987654321::16

NAD+ST+123456789::16

Example EDI for Freight Forwarder location:

NAD+SF+987654321::16

NAD+ST+123456789::16

NAD+CS+123456789::16

## Element Summary:

Ref	Tag	Element Name	Status	Type	Min/Max	Usage
NAD010	3035	Party qualifier	M	an	1/3	Cummins Mandatory

**Description:** Code giving specific meaning to a party.

**CodeList Summary** (Total Codes: 325, Included: 2)

**Code Name**

SF Ship from

**Description:** Identification of the party from where goods will be or have been shipped.

ST Ship to

**Description:** Identification of the party to where goods will be or have been shipped.

NAD020	C082	<b>PARTY IDENTIFICATION DETAILS</b>	C	Comp		Cummins Mandatory
--------	------	-------------------------------------	---	------	--	-------------------

**Description:** Identification of a transaction party by code.

NAD020-010	3039	<b>Party id. identification</b>	M	an	1/35	Cummins Mandatory
------------	------	---------------------------------	---	----	------	-------------------

**Description:** Code identifying a party involved in a transaction.

NAD020-030	3055	<b>Code list responsible agency, coded</b>	C	an	1/3	Cummins Mandatory
------------	------	--	---	----	-----	-------------------

**Description:** Code identifying the agency responsible for a code list.

**CodeList Summary** (Total Codes: 195, Included: 2)

**Code Name**

16 DUNS (Dun & Bradstreet)

**Description:** Self explanatory.

92 Assigned by buyer or buyer's agent

**Description:** Self explanatory.

# LOC PLACE/LOCATION IDENTIFICATION

Pos: 0150	Max: 10
Conditional	
Group: 4	Elements: 2

User Option (Usage): Cummins Mandatory

## Example EDI:

LOC+7+123

## Element Summary:

Ref	Tag	Element Name	Status	Type	Min/Max	Usage
LOC010	3227	Place/location qualifier	M	an	1/3	Cummins Mandatory

**Description:** Code identifying the function of a location.

**CodeList Summary** (Total Codes: 169, Included: 1)

**Code Name**

7 Place of delivery

**Description:** (3246) Place to which the goods are to be finally delivered under transport contract terms (operational term).

LOC020	C517	LOCATION IDENTIFICATION	C	Comp		Cummins Mandatory
--------	------	-------------------------	---	------	--	-------------------

**Description:** Identification of a location by code or name.

LOC020-010	3225	Place/location identification	C	an	1/25	Cummins Mandatory
------------	------	-------------------------------	---	----	------	-------------------

**Description:** Identification of the name of place/location, other than 3164 City name.

# Segment Group 16

Pos: 0470	Repeat: 1
Conditional	
Group: 16	Elements: N/A

User Option (Usage): Cummins Mandatory

## Segment Group Summary:

<u>Pos</u>	<u>Tag</u>	<u>Segment Name</u>	<u>Status</u>	<u>Rep</u>	<u>Usage</u>
0480	CPS	CONSIGNMENT PACKING SEQUENCE	M	1	Cummins Mandatory
0630		Segment Group 22	C	9999	Cummins Mandatory

# CPS CONSIGNMENT PACKING SEQUENCE

Pos: 0480	Max: 1
Mandatory	
Group: 16	Elements: 1

User Option (Usage): Cummins Mandatory

## Example EDI:

CPS+1

## Element Summary:

<u>Ref</u>	<u>Tag</u>	<u>Element Name</u>	<u>Status</u>	<u>Type</u>	<u>Min/Max</u>	<u>Usage</u>
CPS010	7164	Hierarchical id. number	M	an	1/12	Cummins Mandatory

**Description:** A unique number assigned by the sender to identify a level within a hierarchical structure.

# Segment Group 22

Pos: 0630    Repeat: 9999  
 Conditional  
 Group: 22    Elements: N/A

User Option (Usage): Cummins Mandatory

## Segment Group Summary:

<u>Pos</u>	<u>Tag</u>	<u>Segment Name</u>	<u>Status</u>	<u>Rep</u>	<u>Usage</u>
0640	LIN	LINE ITEM	M	1	Cummins Mandatory
0650	PIA	ADDITIONAL PRODUCT ID	C	10	Cummins Optional
0670	QTY	QUANTITY	C	10	Cummins Mandatory
0680	QVR	QUANTITY VARIANCES	C	10	Cummins Mandatory

# LIN LINE ITEM

Pos: 0640	Max: 1
Mandatory	
Group: 22	Elements: 1

User Option (Usage): Cummins Mandatory

## Example EDI:

LIN+1++7654321:IN

## Element Summary:

<u>Ref</u>	<u>Tag</u>	<u>Element Name</u>	<u>Status</u>	<u>Type</u>	<u>Min/Max</u>	<u>Usage</u>
LIN030	C212	ITEM NUMBER IDENTIFICATION	C	Comp		Cummins Mandatory

**Description:** Goods identification for a specified source.

LIN030-010	7140	Item number	C	an	1/35	Cummins Mandatory
------------	------	-------------	---	----	------	----------------------

**Description:** A number allocated to a group or item.

**Cummins Note:** Cummins Part Number

LIN030-020	7143	Item number type, coded	C	an	1/3	Cummins Mandatory
------------	------	-------------------------	---	----	-----	----------------------

**Description:** Identification of the type of item number.

**CodeList Summary** (Total Codes: 86, Included: 1)

**Code Name**

IN Buyer's item number

**Description:** Self explanatory.

# PIA ADDITIONAL PRODUCT ID

Pos: 0650	Max: 10
Conditional	
Group: 22	Elements: 2

User Option (Usage): Cummins Optional

## Example EDI:

PIA+1+1234567:ON

## Element Summary:

<u>Ref</u>	<u>Tag</u>	<u>Element Name</u>	<u>Status</u>	<u>Type</u>	<u>Min/Max</u>	<u>Usage</u>
PIA010	4347	Product id. function qualifier	M	an	1/3	Cummins Mandatory

**Description:** Indication of the function of the product code.

**CodeList Summary** (Total Codes: 9, Included: 1)

**Code Name**

1 Additional identification

**Description:** Information which specifies and qualifies product identifications.

PIA020	C212	ITEM NUMBER IDENTIFICATION	M	Comp		Cummins Mandatory
--------	------	----------------------------	---	------	--	-------------------

**Description:** Goods identification for a specified source.

PIA020-010	7140	Item number	C	an	1/35	Cummins Mandatory
------------	------	-------------	---	----	------	-------------------

**Description:** A number allocated to a group or item.

**Cummins Note:** Cummins Purchase Order Number

PIA020-020	7143	Item number type, coded	C	an	1/3	Cummins Mandatory
------------	------	-------------------------	---	----	-----	-------------------

**Description:** Identification of the type of item number.

**CodeList Summary** (Total Codes: 86, Included: 1)

**Code Name**

ON Customer order number

**Description:** Reference number of a customer's order.



# QTY QUANTITY

Pos: 0670	Max: 10
Conditional	
Group: 22	Elements: 1

User Option (Usage): Cummins Mandatory

## Example EDI:

QTY+48:100:EA

## Element Summary:

Ref	Tag	Element Name	Status	Type	Min/Max	Usage
QTY010	C186	QUANTITY DETAILS	M	Comp		Cummins Mandatory

**Description:** Quantity information in a transaction, qualified when relevant.

QTY010-010	6063	Quantity qualifier	M	an	1/3	Cummins Mandatory
------------	------	--------------------	---	----	-----	-------------------

**Description:** Code giving specific meaning to a quantity.

**CodeList Summary** (Total Codes: 199, Included: 2)

**Code Name**

12 Despatch quantity

**Description:** Quantity despatched by the seller.

48 Received quantity

**Description:** The quantity which has been received.

QTY010-020	6060	Quantity	M	n	1/15	Cummins Mandatory
------------	------	----------	---	---	------	-------------------

**Description:** Numeric value of a quantity.

**Cummins Note:** If QTY010-010 = 12, this will be the quantity provided on the Despatch Advice or Advanced Ship Notice (ASN).

If QTY010-010 = 48, this will be the quantity physically received.

QTY010-030	6411	Measure unit qualifier	C	an	1/3	Cummins Mandatory
------------	------	------------------------	---	----	-----	-------------------

**Description:** Indication of the unit of measurement in which weight (mass), capacity, length, area, volume or other quantity is expressed.

# QVR QUANTITY VARIANCES

Pos: 0680	Max: 10
Conditional	
Group: 22	Elements: 1

User Option (Usage): Cummins Mandatory

### Cummins Note:

If the RECADV is for material receipt discrepancy then the QVR is required.

### Example EDI:

QVR+150:119

### Element Summary:

<u>Ref</u>	<u>Tag</u>	<u>Element Name</u>	<u>Status</u>	<u>Type</u>	<u>Min/Max</u>	<u>Usage</u>
QVR010	C279	QUANTITY DIFFERENCE INFORMATION	C	Comp		Cummins Mandatory

**Description:** Information on quantity difference.

**Cummins Note:** Dependent based on whether this is for a Material Discrepancy.

QVR010-010	6064	Quantity difference	M	n	1/15	Cummins Mandatory
------------	------	---------------------	---	---	------	-------------------

**Description:** Numeric value of variance between ordered/shipped/invoiced quantities.

QVR010-020	6063	Quantity qualifier	C	an	1/3	Cummins Mandatory
------------	------	--------------------	---	----	-----	-------------------

**Description:** Code giving specific meaning to a quantity.

**Cummins Note:** Code 81 (extra unplanned delivery) means an incorrect product was received or wrong part was delivered.

#### CodeList Summary (Total Codes: 199, Included: 2)

##### Code Name

119 Short shipped

**Description:** Indication that part of the consignment was not shipped.

121 Over shipped

**Description:** Indication that more goods have been shipped than contracted for delivery.

# CNT CONTROL TOTAL

Pos: 0990	Max: 1
Conditional	
Group: N/A	Elements: 1

User Option (Usage): Cummins Mandatory

## Example EDI:

CNT+1:2

## Element Summary:

<u>Ref</u>	<u>Tag</u>	<u>Element Name</u>	<u>Status</u>	<u>Type</u>	<u>Min/Max</u>	<u>Usage</u>
CNT010	C270	CONTROL	M	Comp		Cummins Mandatory

**Description:** Control total for checking integrity of a message or part of a message.

CNT010-010	6069	Control qualifier	M	an	1/3	Cummins Mandatory
------------	------	-------------------	---	----	-----	-------------------

**Description:** Determines the source data elements in the message which forms the basis for 6066 Control value.

**CodeList Summary** (Total Codes: 38, Included: 1)

**Code Name**

2 Number of line items in message

**Description:** Self-explanatory.

CNT010-020	6066	Control value	M	n	1/18	Cummins Mandatory
------------	------	---------------	---	---	------	-------------------

**Description:** Value obtained from summing the values specified by the Control Qualifier throughout the message (Hash total).

# UNT MESSAGE TRAILER

Pos: 1000	Max: 1
Mandatory	
Group: N/A	Elements: 2

User Option (Usage): Cummins Mandatory

## Example EDI:

UNT+15+1

## Element Summary:

<u>Ref</u>	<u>Tag</u>	<u>Element Name</u>	<u>Status</u>	<u>Type</u>	<u>Min/Max</u>	<u>Usage</u>
UNT010	0074	<b>Number of segments in a message</b>	M	n	1/6	Cummins Mandatory
		<b>Description:</b> Control count of number of segments in a message.				
UNT020	0062	<b>Message reference number</b>	M	an	1/14	Cummins Mandatory
		<b>Description:</b> Unique message reference assigned by the sender.				

# UNZ INTERCHANGE TRAILER

Pos:	Max: 1
Mandatory	
Group: N/A	Elements: 2

User Option (Usage): Cummins Mandatory

## Example EDI:

UNZ+1+25

## Element Summary:

<u>Ref</u>	<u>Tag</u>	<u>Element Name</u>	<u>Status</u>	<u>Type</u>	<u>Min/Max</u>	<u>Usage</u>
UNZ010	0036	<b>Interchange control count</b>	M	n	1/6	Cummins Mandatory

**Description:** Count either of the number of messages or, if used, of the number of functional groups in an interchange.

UNZ020	0020	<b>Interchange control reference</b>	M	an	1/14	Cummins Mandatory
--------	------	--------------------------------------	---	----	------	----------------------

**Description:** Unique reference assigned by the sender to an interchange.